



**Home Generator Systems**

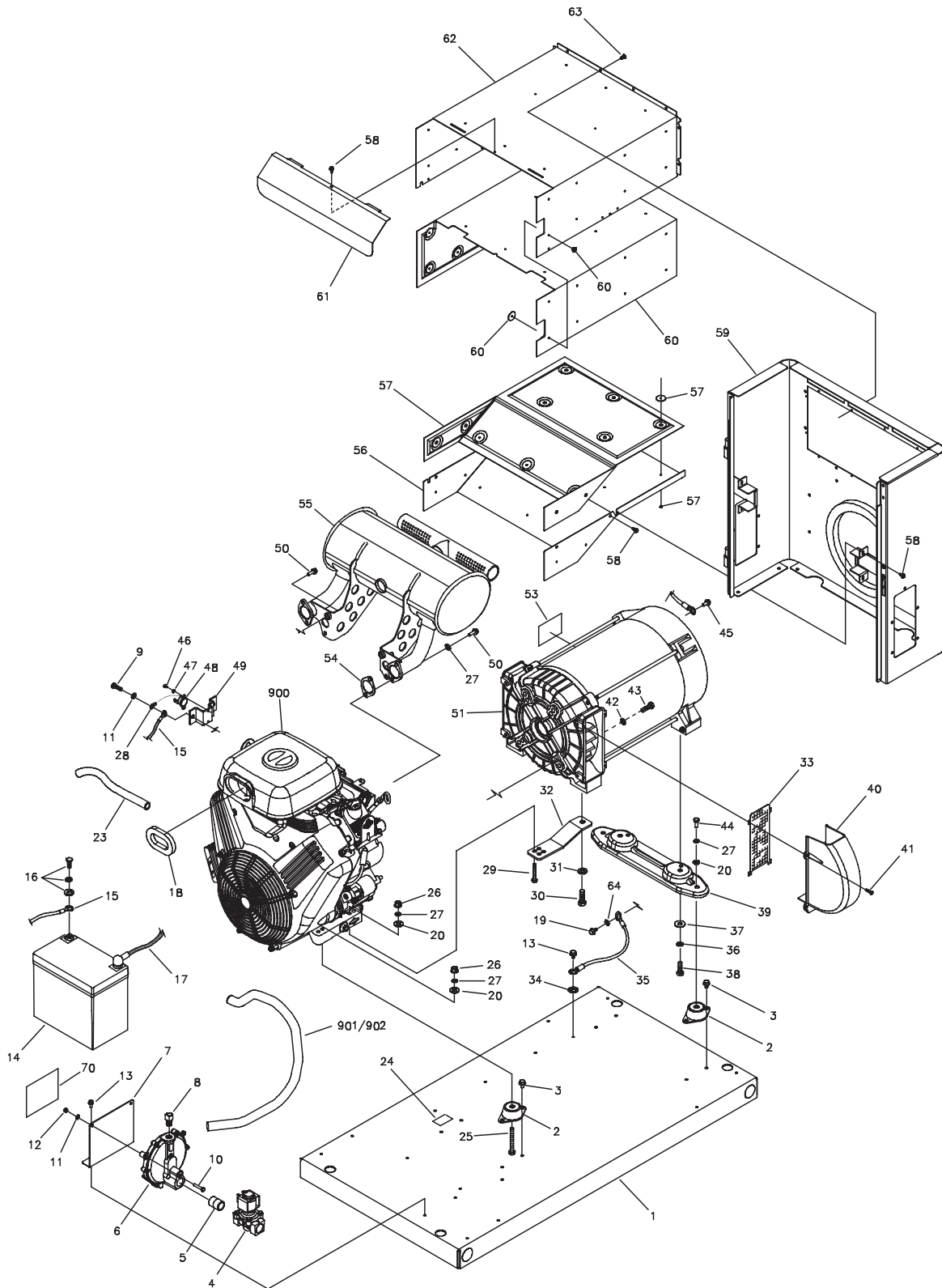
# **Illustrated Parts List**

**Model  
040226-1**

**20000 Rated Watts  
Home Generator System**

Manual No. 202827A Rev. B (03/26/2008)

# Exploded View - Main Unit

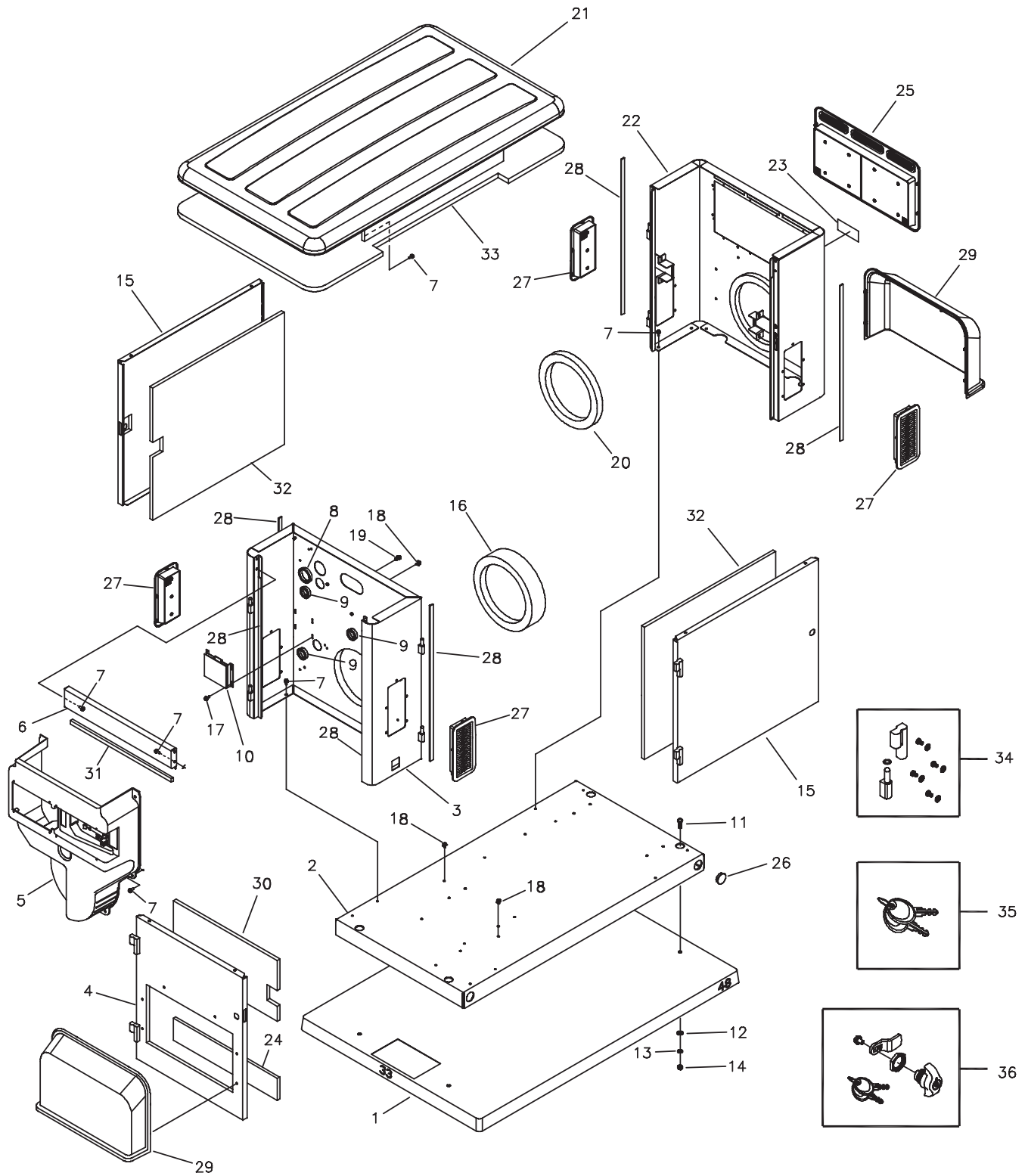


Copyright © 2008 Briggs & Stratton Power Products Group, LLC. All rights reserved. No part of this material may be reproduced or transmitted in any form by any means without the express written permission of Briggs & Stratton Power Products Group, LLC.

# Illustrated Parts List - Main Unit

Item	Part #	Description	Item	Part #	Description
1	U203030GS	BASE, Mounting	48	186205GS	SWITCH, Oil Temp
2	187594GS	MOUNT, Vibration	49	194699GS	PLATE, Switch Oil Temp
3	24910GS	HHS, Trilobular 5/16 - 18 x 1/2	50	809743	SCREW
4	194683GS	SOLENOID, Gas Fuel	51	NSP	ASSY, Alternator (see page 7)
5	194829GS	FITTING, Coupling	53	193506GS	DECAL, Caution Hot Surface
6	194830GS	REGULATOR	54	809872	GASKET
7	195936GS	BRACKET, Mounting Solenoid	55	202885GS	MUFFLER
8	202382GS	FITTING, 3/4 Flare to 3/8 NPT	56	202884GS	BASE, Muffler Box
9	*	HHCS, M6 - 1.0 x 16	57	203533GS	KIT, Insulation, Muffler Box Base
10	*	HHCS, M6 - 1.0 x 30	58	56893GS	CRIMPTITE, 10 - 24 x 1/2
11	*	WASHER, 1/4 Lock	59	202988GS	ASSY, Bulkhead, Alternator End w/Insulation
12	*	NUT, M6 - 1.0	60	203534GS	KIT, Insulation, Muffler Box Top
13	B4300GS	HHS, Trilobular, 1/4 - 20 x 1/2	61	194682GS	COLLECTOR, Muffler Box
14	194818GS	BATTERY	62	202883GS	BOX, Muffler Top
15	185939UGS	WIRE-A, Black	63	192445GS	SCREW, 10 - 32 x 5/8
16	198913GS	KIT, Battery Hardware	64	*	WASHER, M6 Shakeproof
17	198593DGS	WIRE-A, Red	70	205397GS	DECAL, Requirements, Fuel
18	202958GS	TUBE, Air Cleaner	900	§ (202829)	ENGINE
19	B4995GS	HHS, Trilobular, 1/4-20 x 7/8	901	843644	FUEL HOSE
20	*	WASHER, Flat 5/16 - M8	902	843438	CLAMP
23	1723165SM	HOSE, Oil Drain	<b>Items Not Illustrated</b>		
24	186649GS	DECAL, Oil Drain	202826GS		MANUAL, Install
25	*	HHCS, 5/16 - 18 x 2.5 Full Thread	202827GS		MANUAL, Operator's
26	*	NUT, 5/16 - 18	MS3483		MANUAL, Engine
27	*	WASHER, Lock 5/16 - M8	204510GS		KIT, Manual/Accessory, HGS
28	186790CGS	WIRE	198810GS		PAINT, Touchup, HGS, Gray
29	*	HHCS, 5/16 - 18 x 2"	198811GS		PAINT, Touchup, 1/2 oz Bottle, Metallic Silver
30	*	HHCS, M12 - 1.75 x 35	B3518GS		CAP, Funnel Oil Bottle
31	*	WASHER, M12	202295GS		HOSE, Flex
32	B194685GS	SUPPORT, Engine/Alternator, Black	198866GS		KIT, Led Remote
33	202922GS	SCREEN	203438GS		KIT, Decals, Service
34	*	WASHER, Shakeproof Ext. M6-1/4	<b>Optional Accessories</b>		
35	185939WGS	WIRE, Ground	199475GS		PAINT, Touchup, Spray, Silver, 12oz
36	*	WASHER, 3/8 Lock	199474GS		PAINT, Touchup, Spray, Gray, 12oz
37	*	WASHER, Flat, 3/8 - M10	6030		KIT, Cold Weather (Includes Battery and Oil Warmers)
38	*	HHCS, 3/8 - 16 x 1	* - Items without part numbers are common fasteners and are available at local hardware stores.		
39	B198896GS	BRACKET, Mounting Alternator, Black	§ - Contact Engine Manufacturer		
40	202761GS	DUCT, Air			
41	*	SCREW, M5.8 x 10, Taptite			
42	*	WASHER, Lock 3/8			
43	*	SHCS, 3/8 - 16 x 1-1/4			
44	*	HHCS, 5/16 - 18 x 3/4			
45	B4300GS	HHS, Trilobular, 1/4 - 20 x 1/2			
46	*	PPHMS, 4-40 x 0.19			
47	*	WASHER, Lock #4			

# Exploded View - Enclosure

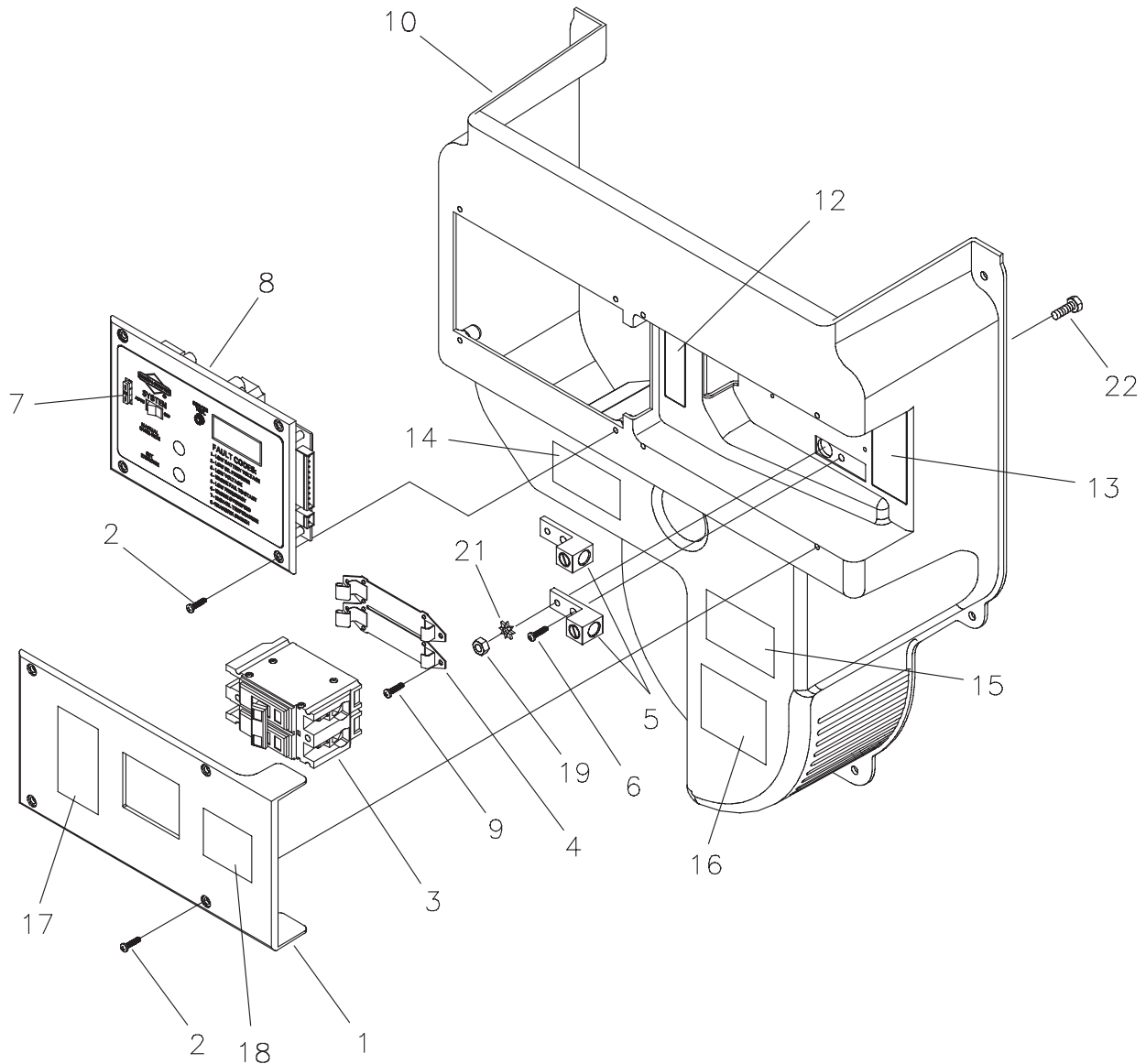


# Illustrated Parts List - Enclosure

Item	Part #	Description	Item	Part #	Description
1	197275GS	PAD, Mounting w/ Holes	16	202956GS	SEAL, Foam, Engine Air
2	U203030GS	BASE, Mounting	17	192778GS	HHS, Trilobular, #8-32 x 1/2
3	202984GS	ASSY, Bulkhead, Engine End	18	195733GS	MOUNT, Tie Wrap
		. Bulkhead, Engine End	19	192940GS	RETAINER, Hose
		. Decal, Fuel Inlet	20	202957GS	SEAL, Foam, Alt Inlet
		. Seal, Foam	21	198893GS	ASSY, Roof/Siderails
		. Seal, Foam Engine Air			. Weldment Roof/Siderails
		. Bushing, 1-1/2			. Insulation
		. Bushing, 1-3/8	22	202988GS	ASSY, Bulkhead, Alternator End
		. Plug, Dome 1-1/2			. Decal, Caution Hot Muffler
		. Pin, Hinges with Hardware			. Seal, Foam
4	198986GS	ASSY, Door, Engine. End			. Seal, Foam Alternator Inlet
		. Weldment, Door Engine End			. Pin, Hinges with Hardware
		. Insulations			. Bracket, Muffler
		. Barrel, Hinges with Hardware	23	200409GS	DECAL, Caution Hot Muffler
5	198910GS	ASSY, Duct, Engine Air	24	203303GS	INSULATION, Engine Door, Bottom
		. Decals	25	198926GS	ASSY, Vent, Exhaust
		. Lug, Ground Connect w/Hardware	26	198460GS	PLUG, Dome
		. Bracket, Mounting Breaker	27	198927GS	ASSY., Vent, Alternator.
		. w/Hardware	28	198888GS	SEAL, Foam
6	198993GS	ASSY, Support, Rail	29	194694GS	COVER, Air Intake Engine
		. Support Rail Engine End	30	203302GS	INSULATION, Engine Door, Top
		. Seal, Foam	31	197312GS	SEAL, Foam
		. Decal, Rainproof	32	196397GS	INSULATION, Front/Rear Door
7	B4300GS	HHS, Trilobular, 1/4-20 x 1/2	33	195597GS	INSULATION, Roof
8	203015GS	BUSHING, Snap, 2"	34	198890GS	KIT, Door, Hinge
9	197493GS	BUSHING, Snap, 1-1/2"	35	194828GS	SET, Latch Key
10	198338GS	REGULATOR, VLTG	36	198889GS	KIT, Door Latch
11	*	HHCS, 3/8 - 16 x 1			
12	*	WASHER, Flat, 3/8 - M10			
13	*	WASHER, Lock 3/8			
14	*	NUT, 3/8 - 16			
15	200438GS	ASSY, Door			
		. Weldment Door			
		. Insulation			
		. Barrel Hinges with Hardware			
		. Decals			

\* - Items without part numbers are common fasteners and are available at local hardware stores.

# Exploded View & Illustrated Parts List - Control Panel



Item	Part #	Description
1	198911GS	ASSY., Cover, Circuit Breaker w/ Decals
2	*	SCREW, 10 x 0.62, Plastite
3	202593GS	BREAKER, Circuit 100A, 2P
4	192770GS	BRACKET, Mounting Breaker
5	199011GS	LUG, Ground Connect
6	191991GS	BOLT, 1/4-10 x 1, Plastite
7	198573GS	FUSE, Auto Type 15 Amp
8	196655GS	ASSY., Control Panel
9	197492GS	SCREW, PT, M4 - 1.79 x 16.0
10	198910GS	ASSY., Duct, Engine Air w/ Decals
12	198549GS	DECAL, Terminal Block
13	198550GS	DECAL, Ground, Neutral
14	205393GS	DECAL, Warning, Outdoor Install
15	193297GS	DECAL, Caution, Standby
16	205392GS	DECAL, Warning, Auto Start

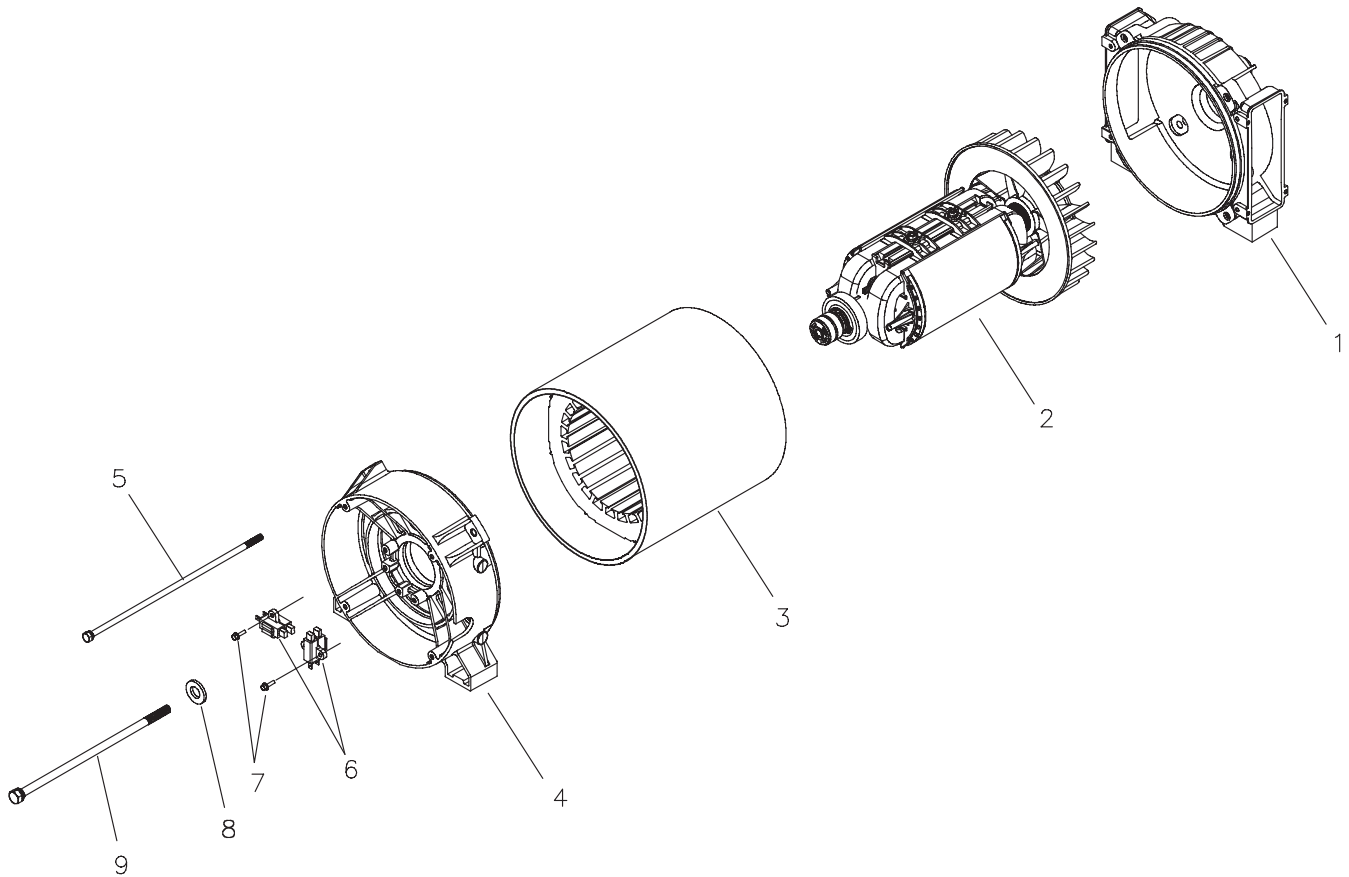
Item	Part #	Description
17	205394GS	DECAL, Caution, Electric Shock
18	205395GS	DECAL, Warning Shock
19	*	NUT, 1/4 - 20
21	*	WASHER, Shakeproof, Ext. M6 1/4
22	*	HHCS, 1/4 - 20 x 3/4

### Items Not Illustrated

202882GS	HARNESS, Wire, CTL Board to Engine/Alternator
198517GS	HARNESS, Wire, E1 & E2 Sensing
203020GS	HARNESS, AVR
198515GS	CONNECTOR, Terminal, 2 Pin
198516GS	CONNECTOR, Terminal, 10 Pin

\* - Items without part numbers are common fasteners and are available at local hardware stores.

# Exploded View & Illustrated Parts List - Alternator



Item	Part #	Description
1	195235GS	ADAPTER, Mounting, Alternator
2	199252GS	ASSY, Rotor
3	199254GS	STATOR
4	195234GS	RBC
5	197177GS	HEX HEAD, SEM Screw
6	66386GS	ASSY, Holder, Brush
7	66849GS	TAPTITE, M5 - 0.8 x 16
8	203200GS	WASHER, 3/8" SAE
9	200442GS	BOLT, 3/8 - 24 x 15.20"